

In-line valve manual actuators

In-line valve manual actuators

Features and benefits

- Hygienic design with laser-etched serial numbers on the actuator body supports full product traceability and cGMP
- Lightweight stainless steel and plastic construction with 304 SS sleeve and nylon handle
- Manual control options to suit your process needs
- Visual indication of open/closed status
- 150 psig maximum sealing force
- Three year warranty



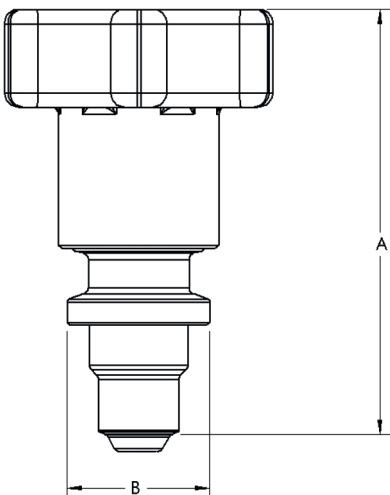
Technical specifications

	In-line valve manual actuators
Sizes	0.5", 0.75", 1.0", 1.5"
Position indication	Position indication on manual actuator sleeves and on pneumatic actuator shafts provide visual confirmation of valve position
Max. operating pressure	10 bar
Max. operating pressure	150 psi
Certification	ISO 9001
Standards	ASME BPE, CE-PED

Materials of construction

	In-line valve manual actuators
Housing	Nylon, Stainless steel
Actuator shaft	Stainless steel 316
O-ring	EPDM

In-line valve manual actuators dimensions



Size (inch)	A mm (inch)	B mm (inch)	Max travel mm (inch)	Weight kg (lb)	Clearance required for removal mm (inch)
0.50	94.0 (3.7)	31.5 (1.2)	4.6 (0.18)	0.4 (0.8)	144.8 (5.7)
0.75	91.4 (3.6)	50.8 (2.0)	5.6 (0.22)	0.6 (1.2)	142.2 (5.6)
1.00	106.7 (4.2)	63.5 (2.5)	7.6 (0.30)	0.9 (1.9)	182.9 (7.2)
1.50	106.7 (4.2)	91.4 (3.6)	10.2 (0.40)	1.5 (3.3)	195.6 (7.7)

Product codes

Product number	Product description
FM05-01	0.5" Weirless Radial in-line valve AKS manual actuator
IM08-01	0.75" Weirless Radial in-line valve AKS manual actuator
IM10-01	1.0" Weirless Radial in-line valve AKS manual actuator
IM15-01	1.5" Weirless Radial in-line valve AKS manual actuator

Disclaimer: The information contained in this document is believed to be correct but ASEPCO accepts no liability for any errors it contains and reserves the right to alter specifications without notice. It is the user's responsibility to ensure product suitability for use within their application. Radial diaphragm is a trademark of ASEPCO Corporation. Tri-Clamp is a registered trademark of Alfa Laval Corporate AB. A member of Watson-Marlow Fluid Technology Solutions, A Spirax-Sarco Engineering plc company.

wmfts.com/global



10 October 2023