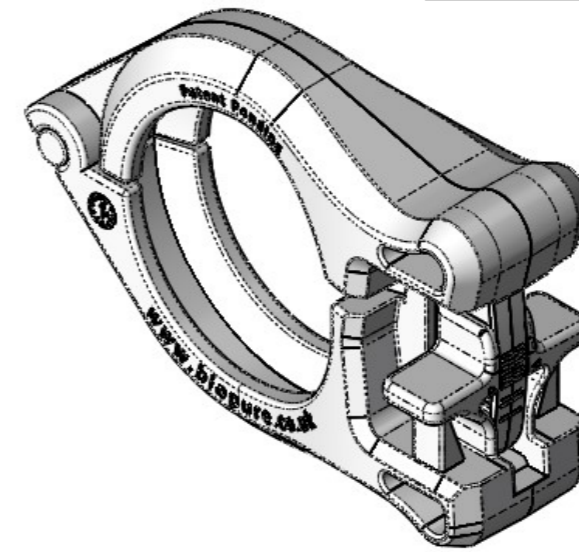
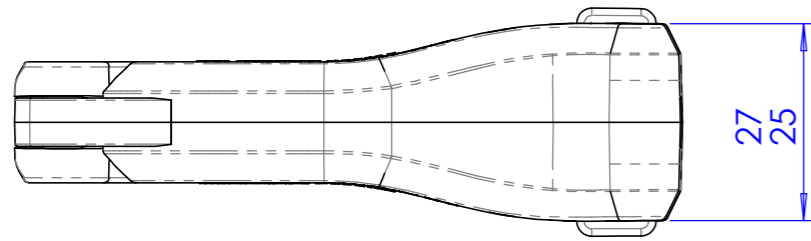
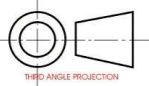
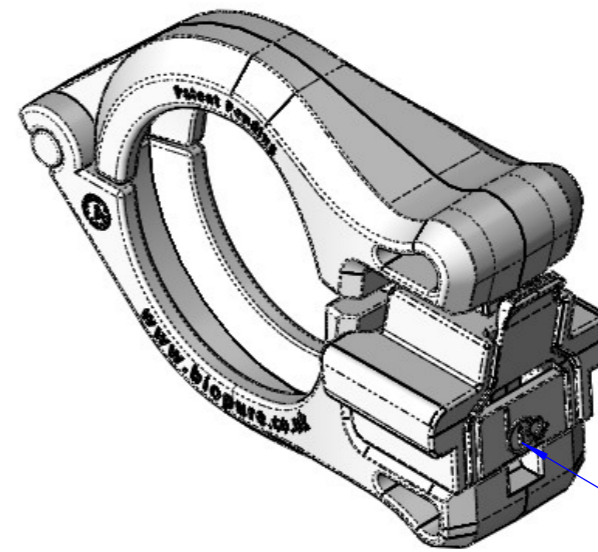
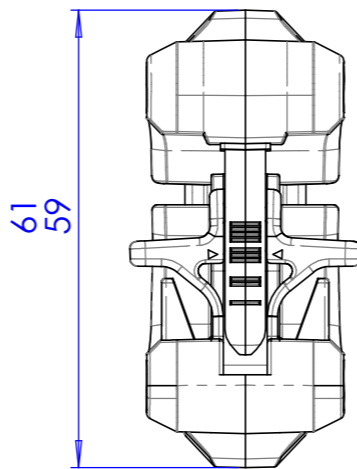
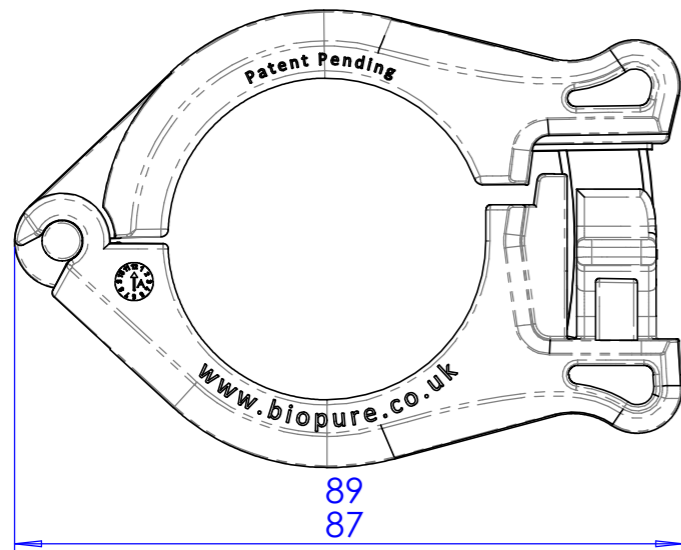


| REVISION | DATE | DESCRIPTION | WHO |
|----------|------|-------------|-----|
|          |      |             |     |
|          |      |             |     |
|          |      |             |     |



CLAMP WITHOUT COVER



Custom Branding Available on Request

CLAMP WITH COVER

| Part Number    | Description                     |
|----------------|---------------------------------|
| 1032-0150-0001 | Q-CLAMP, 1" - 1 1/2", 1 PC      |
| 1032-0150-0010 | Q-CLAMP, 1" - 1 1/2", 10 PCS/PK |
| 1032-0150-0050 | Q-CLAMP, 1" - 1 1/2", 50 PCS/PK |

UNLESS OTHERWISE SPECIFIED:  
DIMENSIONS ARE IN MILLIMETERS:  
GENERAL TOLERANCES:  
OPEN: +/- 0.5mm      2 D.P.: +/- 0.1mm  
I.D.P.: +/- 0.25mm      ANGULAR: +/- 0.5°  
FLASH TO BE NO MORE THAN 0.2MM AND MUST NOT BE SHARP  
DO NOT SCALE DRAWING

ALL RIGHTS RESERVED  
THIS DRAWING IS TO BE USED  
FOR REFERENCE PURPOSES  
ONLY AND NO PART MAY BE  
REPRODUCED, STORED IN A  
RETRIEVAL SYSTEM OR USED BY  
A THIRD PARTY FOR ANY  
PURPOSE WITHOUT WRITTEN  
PERMISSION FROM BIOPURE  
TECHNOLOGY LIMITED

|       | NAME | SIGNATURE | DATE |
|-------|------|-----------|------|
| DRAWN | CS   |           |      |
| CHK'D | NW   |           |      |
| P.M.  | SC   |           |      |
|       |      |           |      |
|       |      |           |      |

MATERIAL:  
ZYTEL FGFE5171

|                       |                             |
|-----------------------|-----------------------------|
| REVISION:<br><b>1</b> | <br>Fluid Technology Group  |
| TITLE:                | <b>Q-CLAMP, 1" - 1 1/2"</b> |
| DWG NO.               | <b>1032-0150-0001-S</b>     |
| SCALE: 1:1            | SHEET 1 OF 1                |

A3