

Radial diaphragm™ Insulate valve

FEATURES AND BENEFITS

- Extended body and diaphragm allows for direct welding of vessel jacket
- Patented radial diaphragm, eliminates entrapment for easy cleaning
- Simple Tri-Clamp assembly makes maintenance 80% faster
- No readjustment or retightening



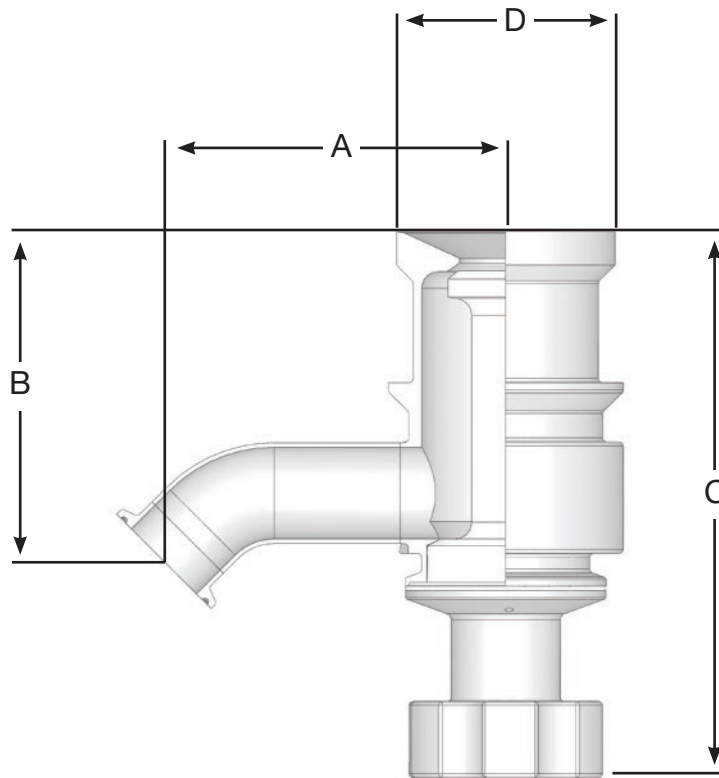
TECHNICAL DATA

| Valves | | | | |
|--------------------------|---|----------------------------------|----------------------------------|----------------------------------|
| Material | 316L, AL6XN, Hastelloy Machined from solid, hot-rolled, bar stock | | | |
| Surface Finish | Max. 0.5 µm Ra (20 micro-inch Ra), electropolished Max. 0.375 µm Ra (15 micro-inch Ra), electropolished Max. 0.25 µm Ra (10 micro-inch Ra), electropolished | | | |
| Sizes | 1.5 inches, 2 inches | | | |
| Outlet Connections | Standard: Hygienic clamp, tube end, (others available) | | | |
| Maximum Pressure | ASME vessels: 17 bar (250 psi) PED vessels: 12 bar (175 psi) | | | |
| Maximum Temperature | Varies from 275F/135C to 400F/200C depending on diaphragm material | | | |
| Marking | Each valve is serialized and marked for full material traceability | | | |
| ISO | All product and procedures are governed by our ISO Quality Assurance Program | | | |
| Standards | BPE, CE-PED, ASME | | | |
| Actuators | | | | |
| Types | Manual or compact pneumatic Fail open or closed | | | |
| Material | 304 stainless steel housing, can be made in 316L | | | |
| Sizes | 1.5 inches, 2 inches | | | |
| Operating Air Pressure | 7 bar (100 psi) max. for pneumatic actuators | | | |
| Seals | Teflon bushings and O-rings | | | |
| Fitting | 1/8-inch NPT air connection (for pneumatic) | | | |
| Possible Instrumentation | Switched With or without solenoids With or without DeviceNet cards | | | |
| Diaphragms | | | | |
| Materials | Silicone | Silicone Plus | EPDM | EPDM Plus |
| Temperature Range | -51 to 135C (-60 to 275F) | -51 to 135C (-60 to 275F) | -35 to 135C (-30 to 275F) | -35 to 135C (-30 to 275F) |
| Class | USP Class VI, 21 CFR 177.2600 | USP Class VI, 21 CFR 177.2600 | USP Class VI, 21 CFR 177.2600 | USP Class VI, 21 CFR 177.2600 |
| Parylene Treatment | - | √ | - | √ |

PERFORMANCE DATA

| Insulate valve flow rates | |
|---------------------------|---------------------------------------|
| Size inches | Cv at 0.07 bar (1 psi) LPM (USGPM) |
| 1.50 | 180 (48) |
| 2.00 | 272 (72) |

DIMENSIONS



| TEXX-100-X: Insulate valve | | | | | |
|----------------------------|--------------|--------------|-------------------------------------|--|--------------|
| Size inches | A mm (in) | B mm (in) | C - with Manual Actuator mm (in) | C - with Pneumatic Actuator mm (in) | D mm (in) |
| 1.50 | 129.3 (5.09) | 124.7 (4.91) | 206.8 (8.14) | 246.6 (9.71) | 82.6 (3.25) |
| 2.00 | 161.5 (6.36) | 158.0 (6.22) | 268.7 (10.58) | 289.6 (11.40) | 119.6 (4.71) |

TECHNICAL SPECIFICATION

| Size inches | Weights | | |
|-------------|-----------------------|--|---|
| | Valve Body kg (lb) | Total Weight with Manual Actuator kg (lb) | Total Weight with Pneumatic Actuator kg (lb) |
| 1.50 | 2.1 (4.65) | 5.3 (11.70) | 6.1 (13.50) |
| 2.00 | 7.2 (15.75) | 10.5 (23.10) | 11.3 (24.90) |

ORDERING INFORMATION

| Model Code | Part Description |
|-------------|--|
| TE17-100-X* | Extended Radial valve, 1.5" Flush Tank EN 1.4435 body/EN1.4404 fittings, 1.5" 45 clamp-end outlet, Flush diaphragm, Ra surface finish*, electropolished and passivated, includes body/actuator clamp |
| TE20-100-X* | Extended Radial valve, 2" Flush Tank EN 1.4435 body/EN1.4404 fittings, 2" 45 clamp-end outlet, Flush diaphragm, Ra surface finish*, electropolished and passivated, includes body/actuator clamp |
| TE30-100-X* | Extended Radial valve, 3" Flush Tank EN 1.4435 body/EN1.4404 fittings, 3" 45 clamp-end outlet, Flush diaphragm, Ra surface finish, electropolished and passivated, includes body/actuator clamp |

*Note: X represents one of the following options—
 1 = 20 micro-inch Ra surface finish
 2 = 15 micro-inch Ra surface finish
 3 = 10 micro-inch Ra surface finish

Disclaimer: The information contained in this document is believed to be correct but ASEPCO accepts no liability for any errors it contains and reserves the right to alter specifications without notice. It is the users responsibility to ensure product suitability for use within their application. Radial diaphragm is a trademark of ASEPCO Corporation. Tri-Clamp is a registered trademark of Alfa Laval Corporate AB.

ASEPCO

wmftg.com
 info.asepco@wmftg.com
 +1-650-691-9500